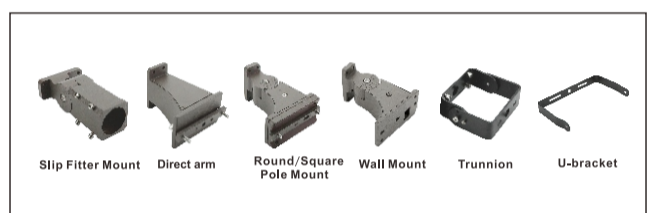
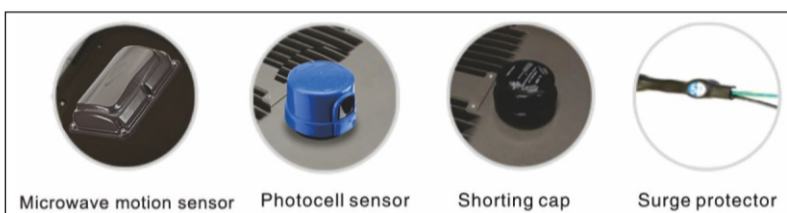
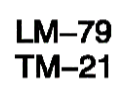
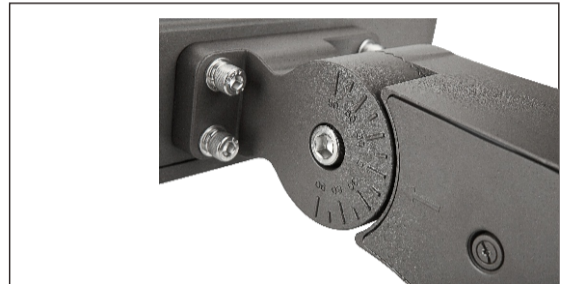


Product picture



Microwave motion sensor

- Automatic switching or dimming when used in combination with 1–10V dimmable LED drivers or ballasts.
- Built-in daylight sensor.
- 1–10V interface can match up with Merrytek stand-alone daylight sensor MS01 and achieve daylight harvesting.
- Compact size makes it suitable to fix within most luminaires.
- Detection area, time delay and daylight threshold can be precisely set via DIP switch.
- Wide detection area, range up to 16m in diameter.
- Support higher mounting height 15m Max.
- Optional surface mounting and base mounting

The MC601V innovative and active motion detectors with HF system 5.8GHz. Motion can be detected through plastic, glass and thin non-metal materials.

The sensors allow energy saving without compromising comfort. When used in combination with 1–10V dimmable LED drivers or ballasts, they can achieve 3–step dimming function, which is perfect for use in some areas that requires a light change notice before totally switch off.

Also, the 1–10V interface in the sensors can match up with Merrytek stand-alone daylight sensor MS01, and implement daylight harvesting, means the lighting system has automated controls that either turn off or dim artificial light in response to the available daylight in the space.

As it uses the third generation Merrytek technology, normal 5.8GHz microwave module can easily reach high mounting high up to 15m and long detection area 10m in radius.

Product features

- 1 European and American design style, high quality aluminum die casting, DUPONT powder painting process, round shape design, never fade, anti-cracking.
- 2 Adopt aerodynamic design, take heat away quickly, keep low temperature for heat sink and LED chip for longer lifespan and higher light efficiency.
- 3 A variety of installation ways, suitable for round pole, square pole, wall, ground and so on. All the screws are SUS316 stainless steel screws with stronger corrosion resistance ability.
- 4 SMD3030 led chip, high CRI, light efficiency up to 160-180lm/w, low light decay and long lifespan.
- 5 SOSEN high efficiency series 12KV anti-surge LED driver, installed on die casting cover of led driver, take heat away quickly to keep lower temperature and longer lifespan.
- 6 Through various of experimental tests: wind resistance level test, conduction radiation, 1.5G seismic test, UV aging test, drop, stacking test etc.



Product Applications

LED Shoebox/Area Light series can be widely used in Parking lot, Urban roads, Industrial areas, Residential areas, Sidewalks, Schools, Gardens and etc.



Los Angeles Port
— LED Shoebox light replacement

Long Beach Port
— LED Shoebox light replacement

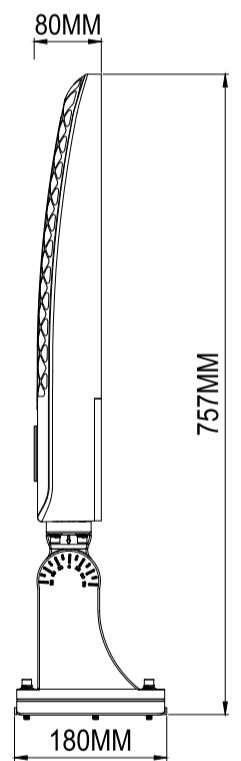
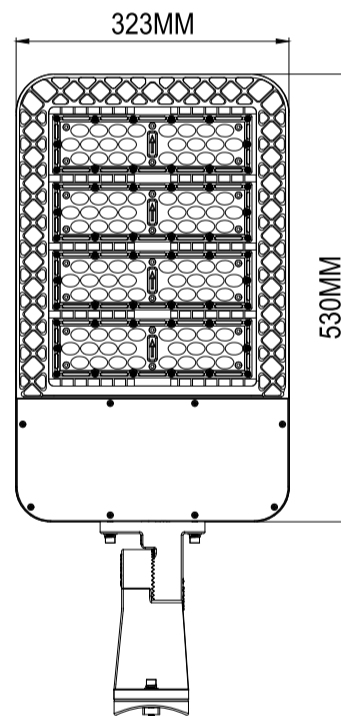
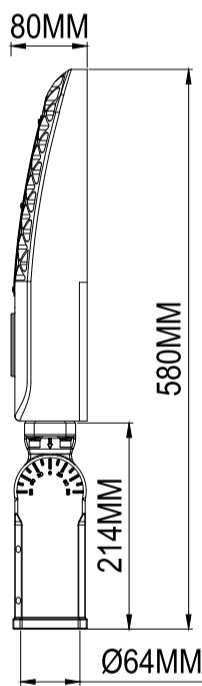
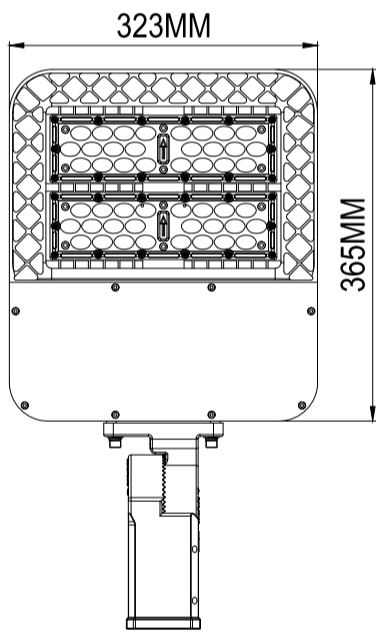
Specifications

Size:mm

Structure Features

Shell materials: Aluminum & PC.

Finish: Dark Bronze/White



Power:60W、100W、150W
Light Size:L365*W323*H80MM
Packing Size: L515mm* W360mm* H290mm

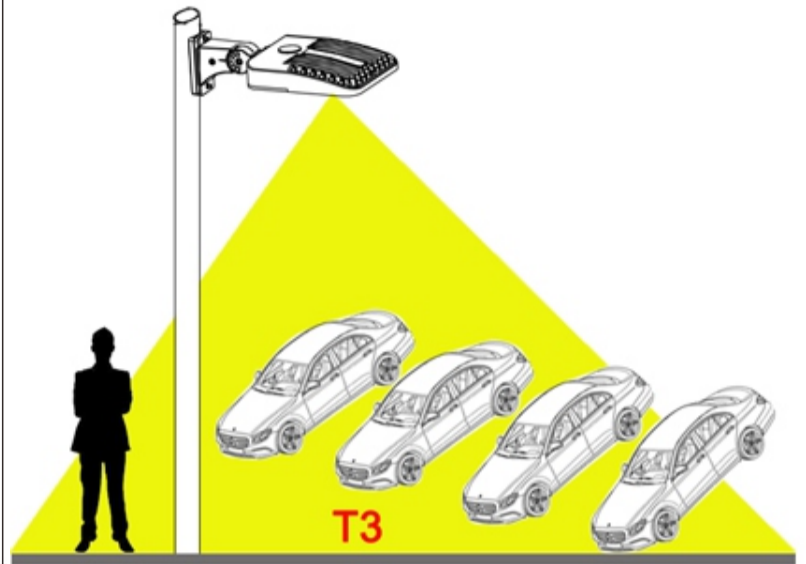
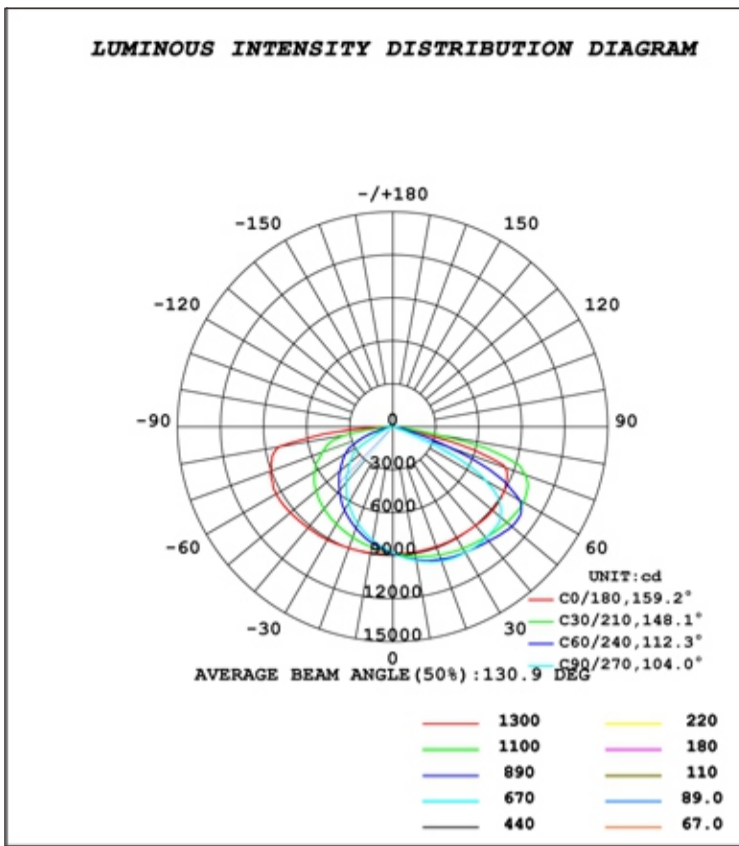
Power:200W、240W、300W
Light Size:L530*W323*H80MM
Packing Size: L700mm* W360mm* H290mm

Technical Parameters

Model	Power	Input Voltage	Beam Angle	Dimmable	CRI	Input Flux	Light Efficiency	PF	IP Rate	Dimension(mm)		
										L	W	H
KTSL3620-60	60W	AC100-277V AC200-480V	35/150/T3/T5	0-10V	70/80	7800~9300lm/w	130lm/w@Ra80 155lm/w@Ra70	>0.9	IP 65	365	323	80
KTSL3620-100	100W	AC100-277V AC200-480V	35/150/T3/T5	0-10V	70/80	13000~15500lm/w	130lm/w@Ra80 155lm/w@Ra70	>0.9	IP 65	365	323	80
KTSL3620-150	150W	AC100-277V AC200-480V	35/150/T3/T5	0-10V	70/80	19500~23250lm/w	130lm/w@Ra80 155lm/w@Ra70	>0.9	IP 65	365	323	80
KTSL3620-200	200W	AC100-277V AC200-480V	35/150/T3/T5	0-10V	70/80	26000~31000lm/w	130lm/w@Ra80 155lm/w@Ra70	>0.9	IP 65	530	323	80
KTSL3620-240	240W	AC100-277V AC200-480V	35/150/T3/T5	0-10V	70/80	31200~37200lm/w	130lm/w@Ra80 155lm/w@Ra70	>0.9	IP 65	530	323	80
KTSL3620-300	300W	AC100-277V AC200-480V	35/150/T3/T5	0-10V	70/80	39000~46500lm/w	130lm/w@Ra80 155lm/w@Ra70	>0.9	IP 65	530	323	80
KTSL3620-330	330W	AC100-277V AC200-480V	35/150/T3/T5	0-10V	70/80	42900~51150lm/w	130lm/w@Ra80 155lm/w@Ra70	>0.9	IP 65	530	323	80
KTSL3620-400	400W	AC100-277V AC200-480V	35/150/T3/T5	0-10V	70/80	52000~62000lm/w	130lm/w@Ra80 155lm/w@Ra70	>0.9	IP 65	530	646	80
KTSL3620-600	600W	AC100-277V AC200-480V	35/150/T3/T5	0-10V	70/80	78000~93000lm/w	130lm/w@Ra80 155lm/w@Ra70	>0.9	IP 65	530	646	80
KTSL3620-660	660W	AC100-277V AC200-480V	35/150/T3/T5	0-10V	70/80	85800~102300lm/w	130lm/w@Ra80 155lm/w@Ra70	>0.9	IP 65	530	646	80

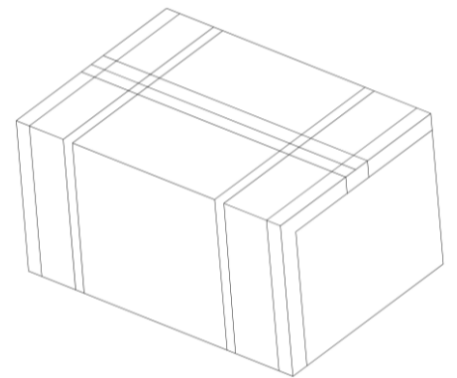
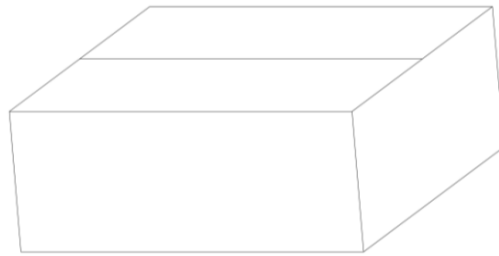
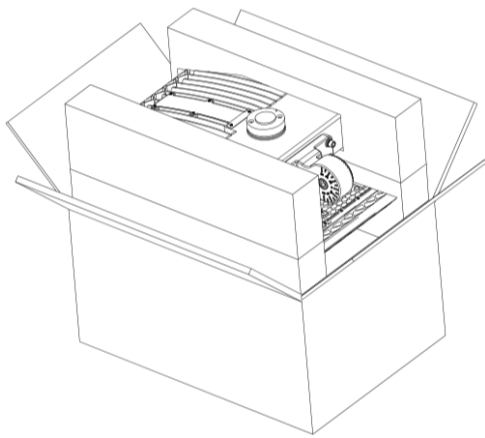
Photometry

TYPE3

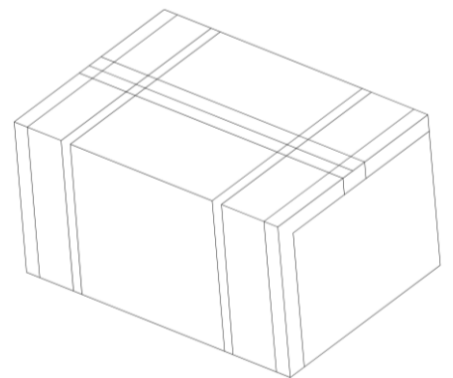
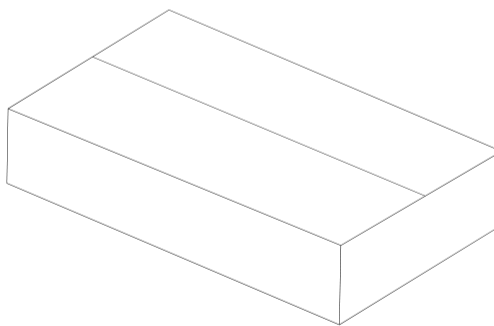
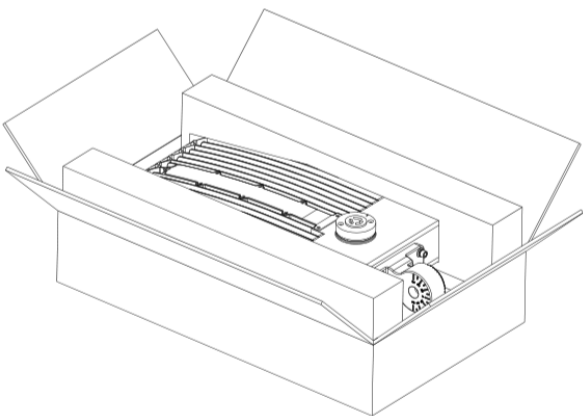


Packing

60W-150W:



200W-300W:

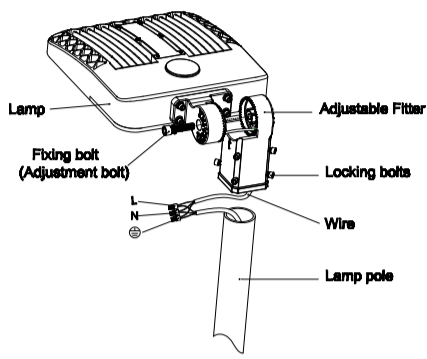


Packing details

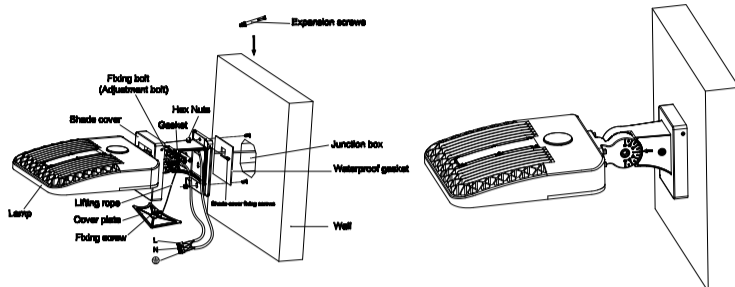
No.	Model No.	N.W(±0.2)	Inner Box Dimension	G.W(±5%)	Qty/ctn	Outer Carton Dimension
1	KTSL3620-60	6.5Kg	-	13.8Kg	2PCS	515*360*290mm
2	KTSL3620-100	6.5Kg	-	14.0Kg	2PCS	515*360*290mm
3	KTSL3620-150	6.8Kg	-	14.4Kg	2PCS	515*360*290mm
4	KTSL3620-200	9.4Kg	-	20.5Kg	2PCS	700*360*290mm
5	KTSL3620-240	9.5Kg	-	21.5Kg	2PCS	700*360*290mm
6	KTSL3620-300	10.17Kg	-	23.5Kg	2PCS	700*360*290mm
7	KTSL3620-330	10.17Kg	-	23.5Kg	2PCS	700*360*290mm

The installation diagram

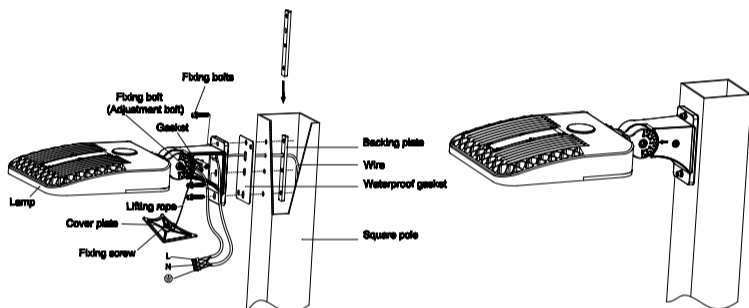
1. Slip fitter mount (Adjustable Angle : -90° ~ $+90^{\circ}$)



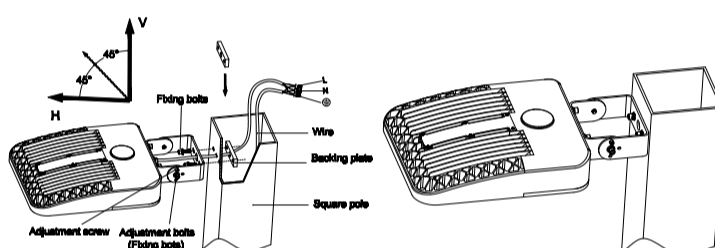
4. Wall Mount (Adjustable Angle : -90° ~ $+90^{\circ}$)



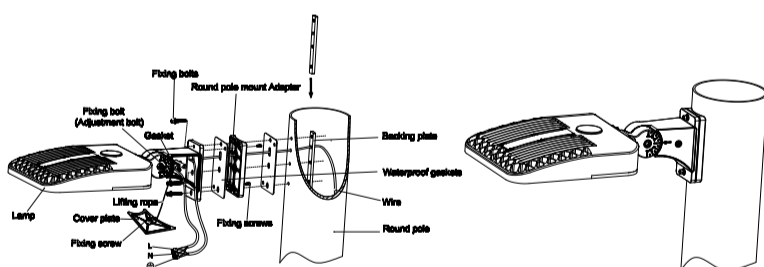
2. Adjustable Square (Adjustable Angle : -90° ~ $+90^{\circ}$)



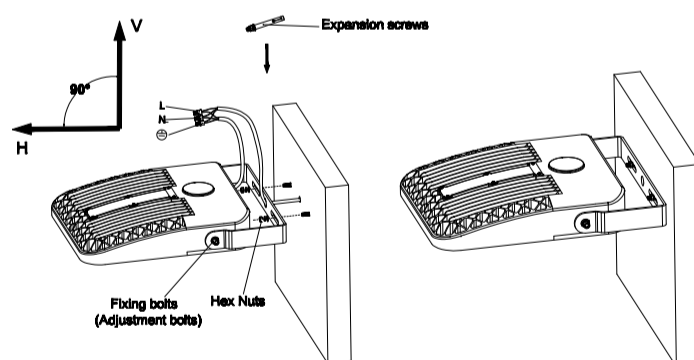
5. Trunnion (Adjustable Angle : -90° ~ $+90^{\circ}$)



3. Round Pole Mount (Adjustable Angle : -90° ~ $+90^{\circ}$)



6. U-bracket (Adjustable Angle : -90° ~ $+90^{\circ}$)



Notice For User

- 1、 Read the installation instructions before install the luminaire.
- 2、 The input voltage and lamps should be matched, after connecting the power line , please make sure the wiring section is insulated.
- 3、 No-professionals, must not install and disassemble the lamps.